

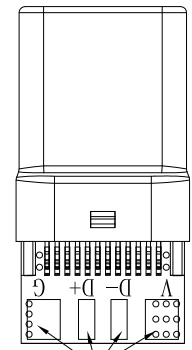
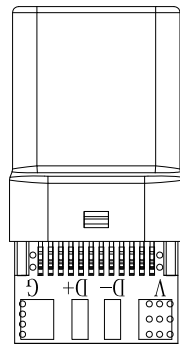
RoHS Compliant

THIS DRAWING CONTAINS INFORMATION THAT IS PROPRIETARY TO ZDT TECHNOLOGY, AND SHOULD NOT BE USED WITHOUT WRITTEN PERMISSION

TYPE C协会TID NO. 7685

焊盘不加锡

焊盘加锡



焊盘不加锡

4个焊盘加锡

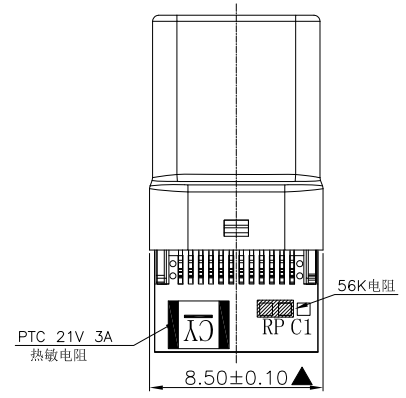
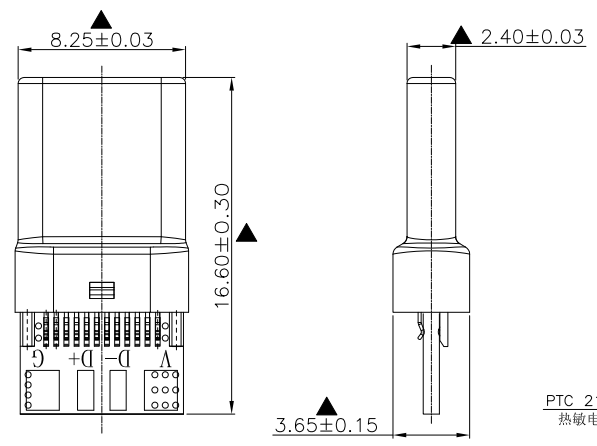
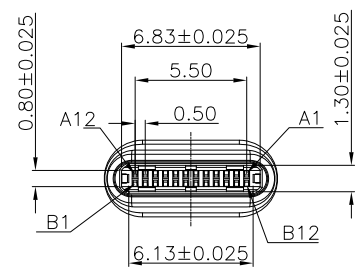
REV	ECN No.	DATE	REMARK
A	NEW	2022.04.25	NEW RELEASE
B	---	2023.01.11	增加焊盘加锡规格

备注:

- 电性参数
  - 电 流: 3.0A Max.,
  - 接触电阻: 最初40mΩ Max.,
  - 寿命测试后变化±10
  - 绝缘阻抗: 100MΩ Min
  - 耐 压: 100V AC
- 机械参数
  - 插入力: 5-20N MAX.
  - 拔出力: 8-20N MIN.
  - 耐久性: 10000 Cycles 500 cycles per hour
- 沾锡性: 温度250±5°, 时间5±0.5s
- PCB双层板
- 符合ROHS要求.
- 注: 带“▲”号的为重点管控尺寸

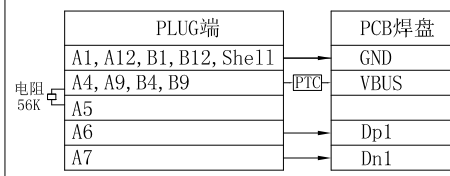
PART NUMBER CODE:

NO.	PART NO.	MATERIAL	REMARKS	PACKING
2	CM163-24LB02U-23T-97-02	2.0 A-C 56K电阻带CY字样PTC 21V 3A焊盘加锡塑胶LCP黑色半金镀3u*		胶管包装
1	CM163-24LB02U-23-97-02	2.0 A-C 56K电阻带CY字样PTC 21V 3A焊盘不加锡塑胶LCP黑色半金镀3u*		胶管包装



No.	NAME	Q'TY	MATERIAL	FINISH
9	电阻	1PCS	56K	---
8	PTC	1PCS	带CY字样21V 3A PTC	---
7	PCB	1PCS	PCB线路板 蓝油 T=0.8mm	---
6	Latch	1PCS	SUS 301 HV310-370;T=0.4	---
5	TERMINAL	24PCS	C7025 HV190-210;T=0.15	---
4	EMI PLATE	2PCS	SUS 304 HV310-370;T=0.10	---
3	FRONT SHELL	1PCS	SUS 316 HV310-370;T=0.15	---
2	EMI-Molding	2PCS	LCP+30%G.F BLACK UL94-V0	---
1	TERMINAL-Molding	2PCS	LCP+30%G.F BLACK UL94-V0	---

线路原理图



PART NO.: SEE THE PART NUMBER CODE

GOLDCONN TECHNOLOGIES COMPANY LIMITED

DRAWN BY SAM DATE 2023.01.11

QUALITY SYMBOL	GENERAL TOLERANCES (UNLESS SPECIFIED)	
	x.xxxxx	± ---
	x.xxx	± 0.10
	x.xx	± 0.20
	x.x	± 0.30
ANGULAR	± ---°	

TITLE Type CM 2.0 A TO C(带热敏电阻21V 3A)

CHECKED BY JAY DATE 2023.01.11

Dwg.No. CM163-24-02 SHEET NO. 1 OF 1

APPROVED BY JACKY DATE 2023.01.11

DIMENSION STYLE MM ONLY DESIGN UNITS METRIC SCALE 1:1

THIRD ANGLE PROJECTION

frame size: A4