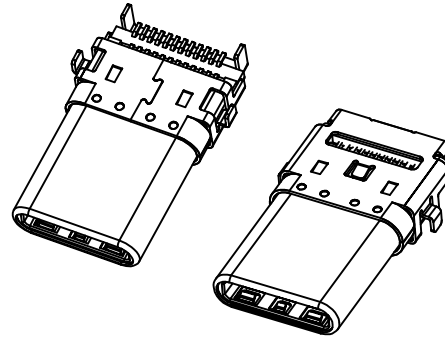
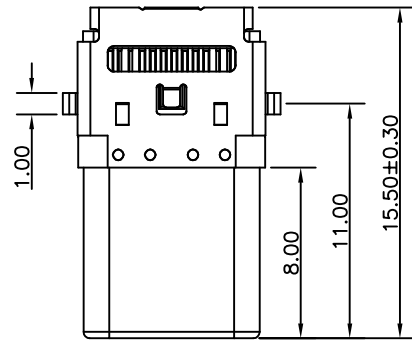


RoHS Compliant



THIS DRAWING CONTAINS INFORMATION THAT IS PROPRIETARY TO ZDT TECHNOLOGY. AND SHOULD NOT BE USED WITHOUT WRITTEN PERMISSION

| REV | ECN No. | DATE | REMARK |
|-----|---------|------------|-----------------|
| A | NEW | 2022.02.19 | NEW RELEASE |
| B | -- | 2022.05.24 | 依客户要求脚长0.9=》1.4 |



3D VIEW

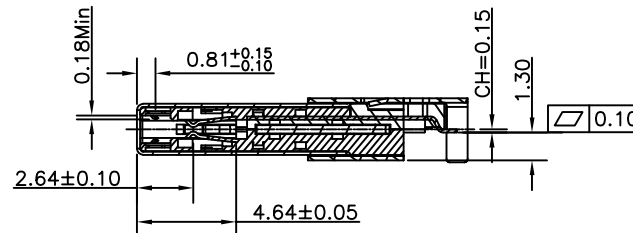
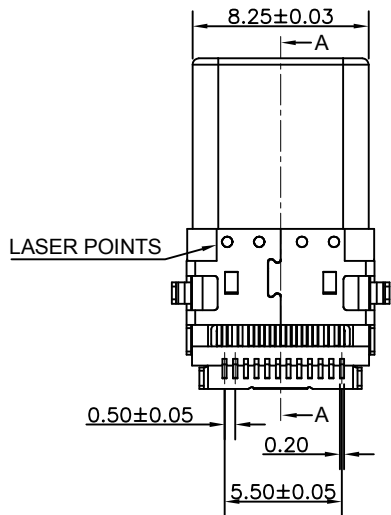
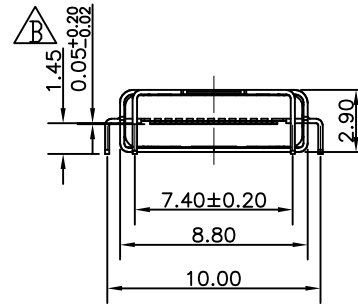
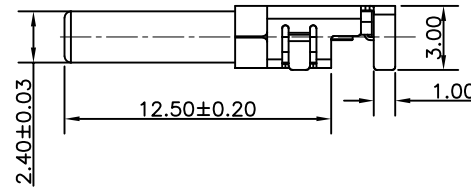
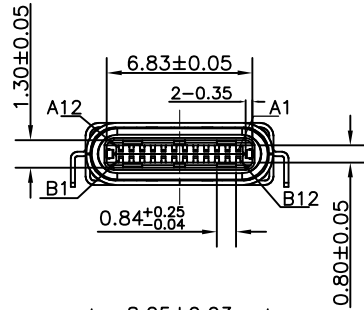
NOTE:

- Electrical Characteristics:
Current Rating: 5A For Pin(A4,A9,B4,B9)
1.25A For Others Pin
Insulation Resistance: 100MΩ Min.
Contact Resistance: 40 mΩ Max.
Dielectric Withstanding Voltage:100V/AC 1Minute
- Mechanical Characteristics:
Insertion Force: 5~20N
Extraction Force: Initial: 8~20N
After durability: 6~20N
Durability :10000 Cycles
- Salt Spray :24H/48H
- Operating Temperature: -30°C TO +85°C

5. PART NUMBER CODE:

CM 3 24 - 001 S L B XX R - 02
(1)(2)(3) (4) (5)

- (1) SHELL PLATED:
S: 不锈钢壳 (雾镍)
- (2) HOUSING MATERIAL
L:LCP
- (3) HOUSING COLOR:
B:BLACK
- (4) CONTACTS PLATED:
02:半金锡3u"
- (5) PACKING OPTIONS:
R:TAPE & REEL(带塞子)



| ITEM | NAME | QTY | MATERIAL | DESCRIPTION |
|------|------------|-----|-----------------|--|
| 6 | Shield | 1 | Stainless Steel | Bright Nickel Plating |
| 5 | Housing | 4 | LCP | Color: Black |
| 4 | Latch | 1 | Stainless Steel | |
| 3 | Contact | 24 | Copper Alloy | 3u"gold plated on Contact area, Matte Tin plated on Solder tails, Nickel underplating over all |
| 2 | Emc Spring | 2 | Stainless Steel | |
| 1 | Shell | 1 | Stainless Steel | Bright Nickel Plating |

| | | | | | | |
|---------------------------------------|---------------------------------------|---------------------------------------|--|---------------------|------------------------|--------------------|
| PART NO.: SEE THE PART NUMBER CODE | | GOLDCONN TECHNOLOGIES COMPANY LIMITED | | DRAWN BY SAM | DATE 2022.05.24 | |
| QUALITY SYMBOL 0 ∇= 0 | GENERAL TOLERANCES (UNLESS SPECIFIED) | | TITLE TYPE C PLUG SMT MIDDLE MOUNT RIGHT ANGLE CH 0.15L=15.5MM | | | |
| | x.xxxx | ± --- | DWG.NO. CM324-001-02 | SHEET NO. 1 OF 1 | CHECKED BY JAY | DATE 2022.05.24 |
| | x.xxx | ± 0.10 | | | APPROVED BY JACKY | DATE 2022.05.24 |
| | x.xx | ± 0.25 | | | THIRD ANGLE PROJECTION | |
| x.x | ± 0.30 | | | | | |
| ANGULAR | ± ---° | DIMENSION STYLE MM ONLY | DESIGN UNITS METRIC | SCALE 1:1 | frame size: A4 | |

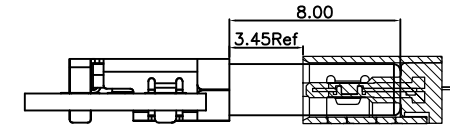
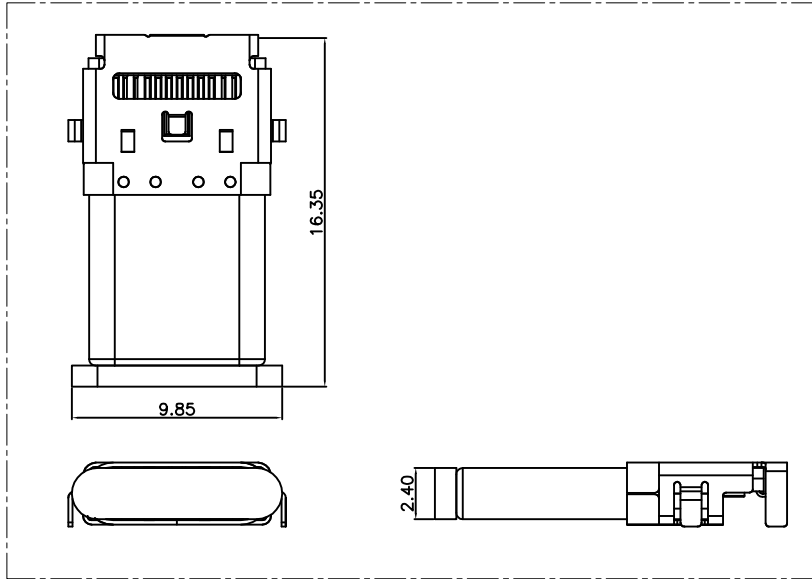
RoHS Compliant



THIS DRAWING CONTAINS INFORMATION THAT IS PROPRIETARY TO ZDT TECHNOLOGY. AND SHOULD NOT BE USED WITHOUT WRITTEN PERMISSION

| REV | ECN No. | DATE | REMARK |
|-----|---------|------------|-----------------|
| A | NEW | 2022.02.19 | NEW RELEASE |
| B | -- | 2022.05.24 | 依客户要求脚长0.9=》1.4 |

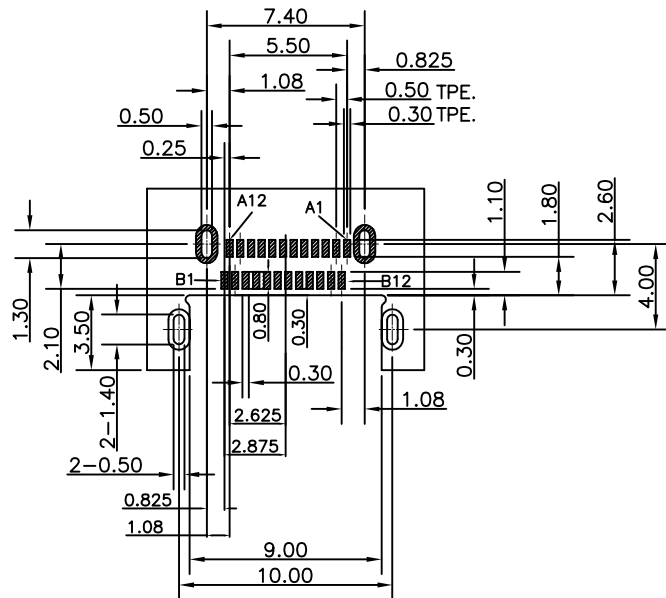
带塞子尺寸示意图



AFTER MATING

USB TYPE-C PIN ASSIGNMENTS

| PIN NUMBER | SIGNAL NAME | PIN NUMBER | SIGNAL NAME |
|------------|-------------|------------|-------------|
| A1 | GND | B12 | GND |
| A2 | SSTXp1 | B11 | SSRXp1 |
| A3 | SSTXn1 | B10 | SSRXn1 |
| A4 | Vbus | B9 | Vbus |
| A5 | CC1 | B8 | SBU2 |
| A6 | Dp1 | B7 | Dn2 |
| A7 | Dn1 | B6 | Dp2 |
| A8 | SBU1 | B5 | CC2 |
| A9 | Vbus | B4 | Vbus |
| A10 | SSRXn2 | B3 | SSTXn2 |
| A11 | SSRXp2 | B2 | SSTXp2 |
| A12 | GND | B1 | GND |



RECOMMENDED P.C.B. LAYOUT
T=0.80 OR 1.00mm

TOLERANCE UNSPECIFIED ±0.05mm

| | | | | | | |
|---------------------------------------|--|---------------------------------------|--|------------------------|----------------------|---------------------------|
| PART NO.: SEE THE PART NUMBER CODE | | GOLDCONN TECHNOLOGIES COMPANY LIMITED | | DRAWN BY SAM | DATE 2022.05.24 | |
| QUALITY SYMBOL 0 ∇ 0 | GENERAL TOLERANCES (UNLESS SPECIFIED) | | TITLE TYPE C PLUG SMT MIDDLE MOUNT RIGHT ANGLE CH 0.15L=15.5MM | | | |
| | x.xxxx | ± --- | DWG.NO. CM324-001-02 | SHEET NO. 2 OF 2 | CHECKED BY JAY | DATE 2022.05.24 |
| | x.xxx | ± 0.10 | | | APPROVED BY JACKY | DATE 2022.05.24 |
| | x.xx | ± 0.25 | DIMENSION STYLE MM ONLY | DESIGN UNITS METRIC | SCALE 1:1 | THIRD ANGLE PROJECTION |
| x.x | ± 0.30 | | | | | |
| ANGULAR | ± ---° | | | | | |

frame size: A4