

TID NO. 7645

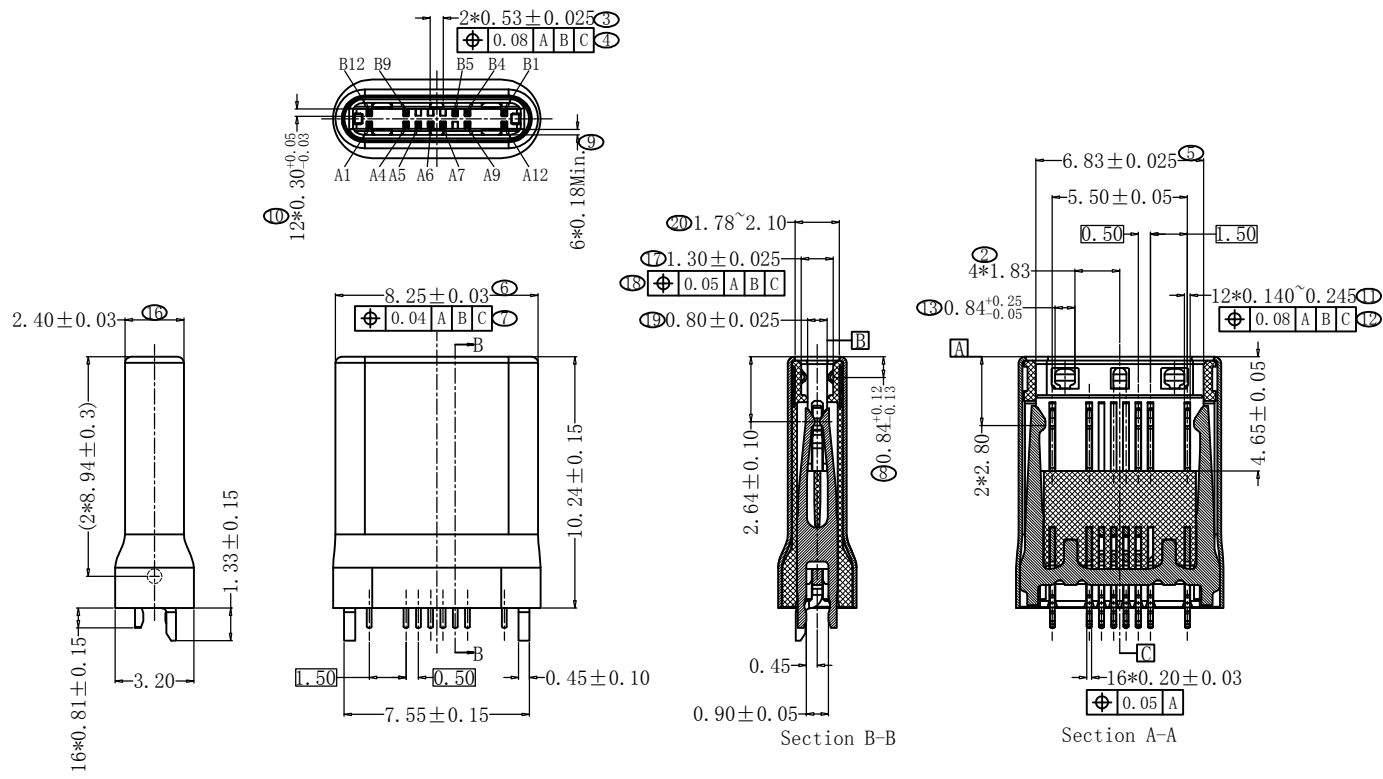
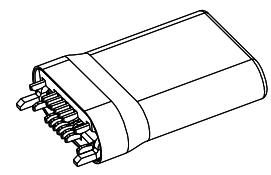
SPECIFICATION:

- Material & Finish: See the list;
- Mechanical:
 - Mating force: 5-20Nf;
 - Unmating force: Initial: 8-20Nf; Final: 6-20Nf;
 - Durability: 10000 Cycles;
- Electrical:
 - Current Rating:
 - VBus Pins: 5A, Vconn Pin: 1.25A, Other Pins: 0.25A;
 - Voltage Rating: 20V Max.;
 - Dielectric Withstanding voltage: 100Vac, 60S, 10mA;
 - Contact resistance: 40m Ohms Max.;
 - Insulation Resistance: 100M Ohms Min.;
- Environmental:
 - Operating temperature: -40° C ~ +85° C;
 - Salt Spray Test: 48H Min. (No oxidation or rust);
 - Wetting Temperature: 265±5° C, 5±0.5s

5.PART NUMBER CODE:

CM 4 12 - 001 S $\begin{matrix} X \\ (1) \end{matrix}$ $\begin{matrix} X \\ (2) \end{matrix}$ $\begin{matrix} X \\ (3) \end{matrix}$ $\begin{matrix} X \\ (4) \end{matrix}$ $\begin{matrix} X \\ (5) \end{matrix}$ $\begin{matrix} X \\ (6) \end{matrix}$ - 93

- (1) 产品形态: 4:夹板式
- (2) Pin No.: 12:12Pin
- (3) HOUSING MATERIALS: L:LCP
- (4) HOUSING COLOR: B:BLACK
- (5) CONTACTS PLATED: 01:半金镀1u"
- (6) PACKING OPTIONS U:TUBE



PIN	SIGNAL	PIN	SIGNAL
A12	GND	B1	GND
A11		B2	
A10		B3	
A9	VBUS	B4	VBUS
A8		B5	VCONN
A7	Dn1	B6	
A6	Dp1	B7	
A5	CC	B8	
A4	VBUS	B9	VBUS
A3		B10	
A2		B11	
A1	GND	B12	GND

NO.	PART NAME	Q' TY	MATERIAL	FINISH
6	Stuff	1	LCP	UL 94 V-0, Nature
5	Shell	1	SUS316L	50u"Ni Min.
4	Latch	1	SUS301, T=0.40mm	50u"Ni/100u"Sn
3	VCC Contact	2*4	C7025 TM04	1u"Au/50u"Ni Min.
2	Signal Contact	4/8	C7025 TM04	1u"Au/50u"Ni Min.
1	Housing	1	LCP	UL 94 V-0

QUALITY SYMBOL 	PART NO.: SEE THE PART NUMBER CODE	GOLDCONN TECHNOLOGIES COMPANY LIMITED		DRAWN BY SAM	DATE 2015.05.10
	GENERAL TOLERANCES (UNLESS SPECIFIED) x.xxxxx ± --- x.xxx ± 0.10 x.xx ± 0.25 x.x ± 0.30 ANGULAR ± ---°	TITLE Type-C Plug 12 Pin Thickness 3.2mm		CHECKED BY JAY	DATE 2015.05.10
	DWG.NO. CM412-001-93	SHEET NO. 1 OF 1	APPROVED BY JACKY	DATE 2015.05.10	
	DIMENSION STYLE MM ONLY	DESIGN UNITS METRIC	SCALE 1:1	THIRD ANGLE PROJECTION	