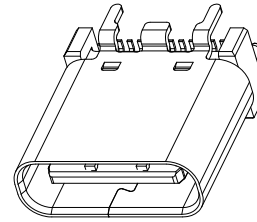
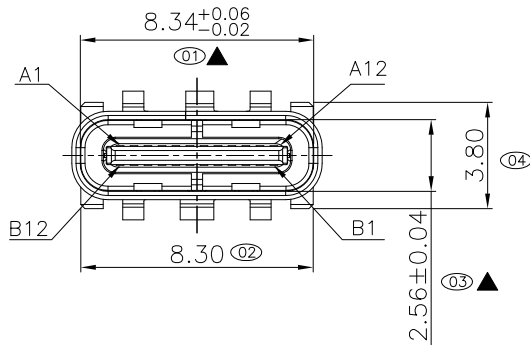
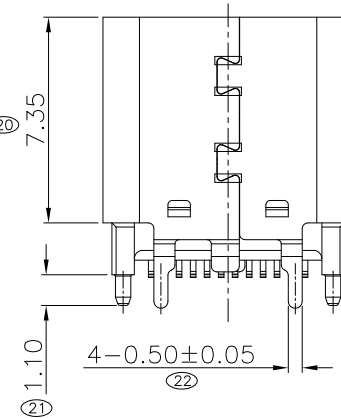
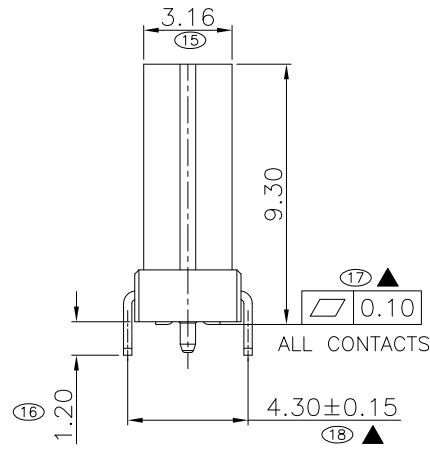
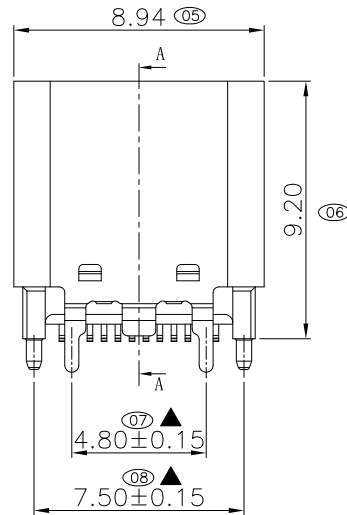


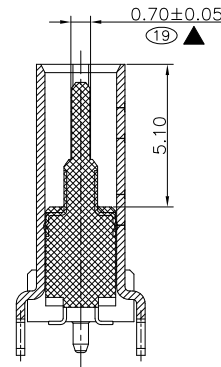
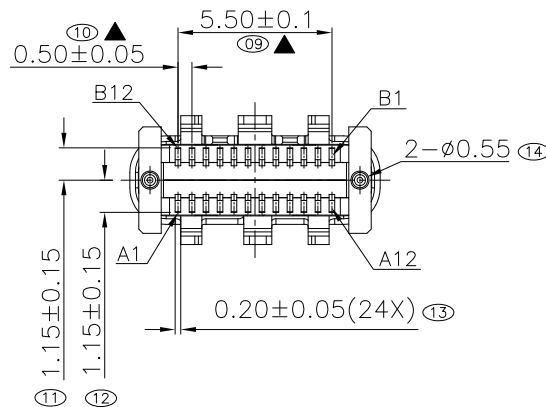
REV	ECN No.	DATE	REMARK
A	NEW	2020.08.03	NEW RELEASE
B	ECR230913-001	2023.09.13	1.取消底部掬料孔 2.整理图纸



NOTE:
 1.ELECTRICAL PERFORMANCE:
 1-1. CURRENT RATING: 2.5Amps. FOR TOTAL VBUS/GND PINS;
 1.25AMPS FOR CC PIN,
 0.25 AMPS. FOR ALL OTHER CONTACT.
 1-2. VOLTAGE RATING:20V DC/AC (RMS. MAX)
 1-3. LLCR:.
 VBUS & GND PINS AND OTHER PINS: 40MΩ/PIN MAX.
 SHIELD:50MΩ/MAX.
 LLCR MAX. CHANGE OF ALL PINS: 10MΩ.
 1-4.INSULATION RESISTANCE: 100MΩ MIN
 1-5.DIELECTRIC WITHSTAND VOLTAGE,AC 100V FOR 1 MINUTE.
 2.MECHANICAL PERFORMANCE,
 2-1.INSERTION FORCE: 5~20N.
 2-2.EXTRACTION FORCE: 8~20N.
 2-3.DURABILITY: 10000 CYCLES.
 3.ENVIRONMENTAL PERFORMANCE:
 OPERATING TEMPERATURE: -25°C~+85°C.
 4.IR REFLOW:
 THE PEAK TEMPERATURE ON THE BOARD SHALL
 BE MAINTAINED FOR 10 SECONDS AT 260°C.
 5.COMPLIANCE WITH ROHS REQUIREMENTS.
 6.注: 带“▲”号的为重点管控尺寸, “(XX)”为尺寸码球



7. PART NUMBER CODE:
 Z-CF007SL X XX X - A -02
 (1)(2)(3)
 (1) HOUSING COLOR:
 B:BLACK
 N:本色
 (2) CONTACTS PLATED:
 02:半金锡3u"
 04:半金锡15u"
 05:半金锡30u"
 (3) 包装要求
 L:卷装
 VR:卷装+真空包装



PIN DEFINITION:

PIN No.	A1	A2	A3	A4	A5	A6	A7	A8	A9	A10	A11	A12
SIGNAL NAME	GND	TX1+	TX1-	VBUS	CC1	D+	D-	SBU1	VBUS	RX2-	RX2+	GND
PIN No.	B12	B11	B10	B9	B8	B7	B6	B5	B4	B3	B2	B1
SIGNAL NAME	GND	RX1+	RX1-	VBUS	SBU2	D-	D+	CC2	VBUS	TX2-	TX2+	GND

TABLE:

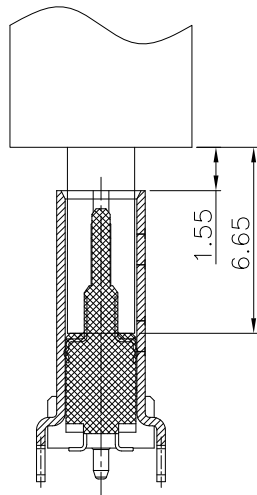
ITEM	P/N	HOUSING COLOR	FUNCTIONAL AREA	SOLDER AREA CONTACTS	SHELL PLATING	包装要求
1	Z-CF007SLB02R-A-02	BLACK	Au:3u"	Sn	Ni	散带热封(不常做)
2	Z-CF007SLB02L-A-02	BLACK	Au:3u"	Sn	Ni	散带冷封
3	Z-CF007SLB04L-A-02	BLACK	Au:15u"	Sn	Ni	散带冷封
4	Z-CF007SLB05L-A-02	BLACK	Au:30u"	Sn	Ni	散带冷封
5	Z-CF007SLB02VR-A-02	BLACK	Au:3u"	Sn	Ni	散带冷封+真空包装
6	Z-CF007SLN02L-A-02	本色	Au:3u"	Sn	Ni	散带冷封

TABLE:

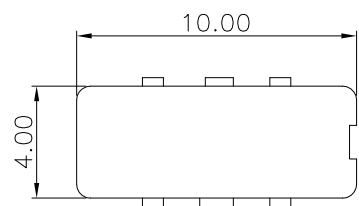
NO	PART	Q'TY	Material
1	SHELL	1	STAINLESS STEEL 304, NI 30u" MIN PLATED
2	EMI Plate	1	STAINIESS STEEL 301,NI 30u" MIN PLATED
3	Mid Plate	1	STAINIESS STEEL 301, NO PLATED
4	CONTACT	24	COPPER STEEL C18400,Au(PART NUMBER CODE) plated on contact area Matte Tin plated 50u"min on solder area; Nickel 50u"min underplating over all.
5	HOUSING	1	LCP BLACK/NATURA UL94 V-0
6	CAP	1	LCP BLACK/NATURA UL94 V-0

PART NO.:	SEE THE PART NUMBER CODE	DRAWN BY:	HuangXiaoHao	GOLDCONN TECHNOLOGIES COMPANY LIMITED
GENERAL TOLERANCES	x.xxx	CHECKED BY:	liuzongliang	
	x.xxx	APPROVED BY:	Jacky	
	x.xx			TITLE
	x.x			USB TYPE-C FEMALE 24PIN Vertical H=9.30
ANGULAR	± 3'	THIRD ANGLE PROJECTION		DIMENSIONS
				SCALE
				DRAWING
				SHEET NO.
				DWG.NO.
				1 OF 2
				CF007-02

REV	ECN No.	DATE	REMARK
A	NEW	2020.08.03	NEW RELEASE
B	ECR230913-001	2023.09.13	1. 取消底部掬料孔 2. 整理图纸

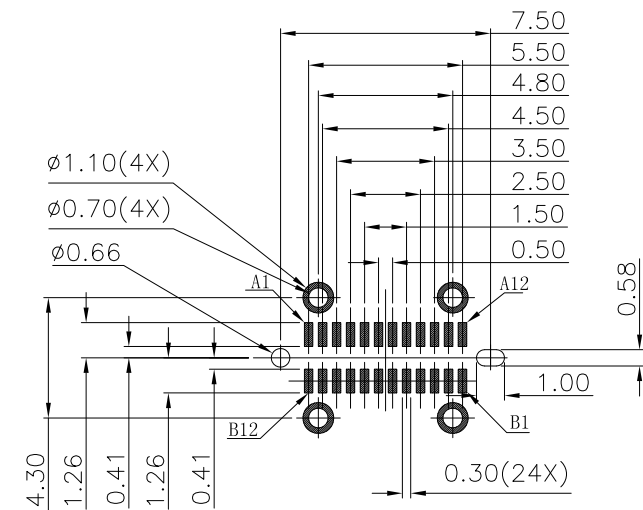
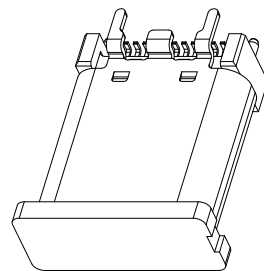


AFTER MATING



WITH PICK UP COVER

10.30



RECOMMENDED PCB LAYOUT(TOP VIEW)
THICKNESS 1.5 ± 0.10 MM;DEFAULT TOLERANCE: ± 0.05

PART NO.: SEE THE PART NUMBER CODE		DRAWN BY: HuangXiaoHao		GOLDCONN TECHNOLOGIES COMPANY LIMITED	
GENERAL TOLERANCES		CHECKED BY: liuzongliang		TITLE	
x.xxxx	\pm ---	APPROVED BY: Jacky		USB TYPE-C FEMALE 24PIN Vertical H=9.30	
x.xxx	\pm 0.10	THIRD ANGLE PROJECTION		DIMENSIONS	
x.xx	\pm 0.25			SCALE	DRAWING
x.x	\pm 0.30			mm	1:1
ANGULAR	\pm 3'			3 OF 3	DWG.NO.
					CF007-02