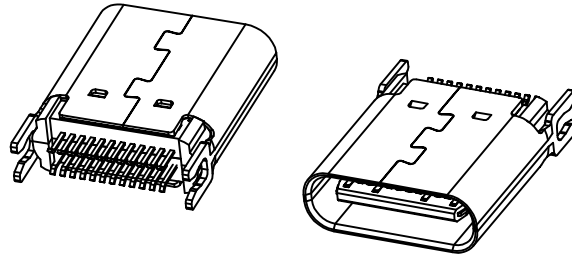
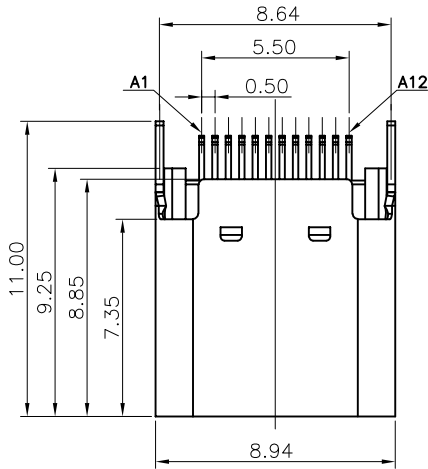


RoHS Compliant

THIS DRAWING CONTAINS INFORMATION THAT IS PROPRIETARY TO ZDT TECHNOLOGY, AND SHOULD NOT BE USED WITHOUT WRITTEN PERMISSION

TYPE C协会认证TID NO. 3657

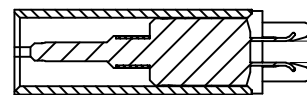
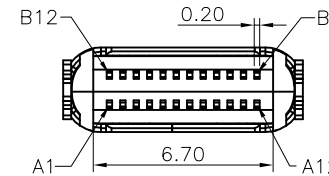
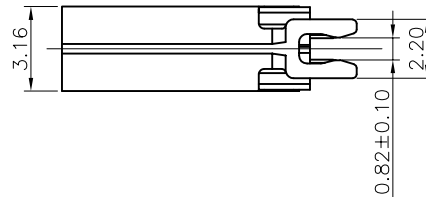
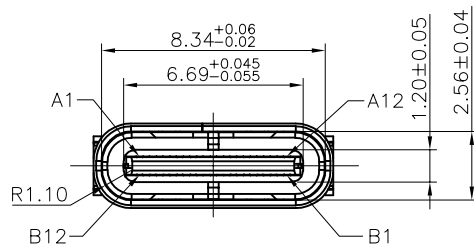
| REV | ECN No.    | DATE       | REMARK     |
|-----|------------|------------|------------|
| A   | NEW        | 2016.04.14 | 新版发行       |
| B   | ECN1612001 | 2016.12.23 | 变更新料号      |
| C   | ECN1709005 | 2017.09.06 | 新增电镀15u规格  |
| D   | ECN1803005 | 2018.03.08 | 新增外壳镀金规格   |
| E   | ECN1805012 | 2018.05.29 | 镀金1u => 3u |
| F   | ECN1908008 | 2019.08.05 | 变更新图号      |
| G   | ECN2011005 | 2020.11.09 | 升级第三代产品    |



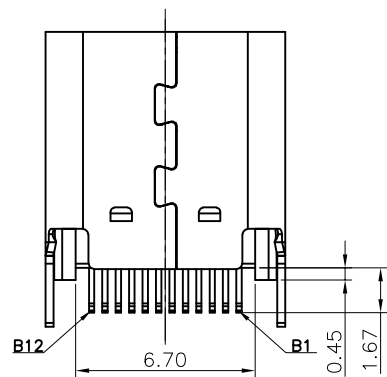
NOTE:  
 1.MATERIAL SPECIFICATION:  
 1.HOUSING:HIGH TEMPERATURE RESISTANT PLASTIC PA9T,UL94 V-0.  
 2.CONTACTS:COPPER ALLOY T=0.12mm  
 3.MID PLATE: STAINLESS STEEL(SUS301)T=0.15mm  
 4.EMI PLATE: STAINLESS STEEL(SUS301)T=0.10mm  
 5.SHELL: STAINLESS STEEL(SUS304)T=0.30mm  
 2.PLATING SPECIFICATION:  
 2-1.CONTACTS:  
 Ni 50u" MIN. UNDER PLATED OVER ALL.  
 Au PLATED ON THE FUNCTIONAL AREA OF CONTACT.  
 (GOLD PLATING THICKNESS FOLLOW THE P/N)  
 PLATING SPECIFICATIONS OF THE SOLDER AREA FOLLOW THE P/N  
 2-2.FRONT SHELL&OUTER SHELL:  
 Ni 30u" MIN. UNDER PLATED OVER ALL.  
 2-3.MID PLATE:  
 Ni 30u" MIN. UNDER PLATED OVER ALL.  
 Sn 80u"MIN. PLATED OVER ALL  
 2-4.EMI PLATE:  
 CLEAR ONLY  
 3.MECHANICAL PERFORMANCE:  
 3-1.INSERTION FORCE: 0.5~2.0kgf.  
 3-2.REMOVAL FORCE: 0.8kgf~2.0kgf.  
 3-3.DURABILITY: 10000 CYCLES.  
 4.ELECTRICAL PERFORMANCE:  
 4-1. CURRENT RATING:5.0A  
 VOLTAGE RATING:5.0V  
 4-2. LLCR:  
 VBUS & GND PINS AND OTHER PINS: 40mΩ/PIN MAX.  
 SHIELD: 50mΩ/MAX.  
 LLCR MAX. CHANGE OF ALL PINS: 10mΩ.  
 4-3.INSULATION RESISTANCE: 100MΩ MIN  
 4-4.DIELECTRIC WITHSTAND VOLTAGE,AC 100V FOR 1 MINUTE.  
 5. ENVIRONMENTAL PERFORMANCE:  
 OPERATING TEMPERATURE: -25°C~+85°C.  
 6.IR REFLOW:  
 THE PEAK TEMPERATURE ON THE BOARD SHALL BE MAINTAINED FOR 10 SECONDS AT 260°C.  
 7.PART NUMBER CODE:(产品料号)

Z-CF009 X X B XX T - A - 01  
 (1)(2)(3)(4)

- (1) SHELL PLATED:  
S:NI  
J:BLACK Ni
- (2) HOUSING MATERIAL:  
C:PA9T
- (3) HOUSING COLOR:  
B:BLACK
- (4) CONTACTS PLATED:  
02:半金镀3u"  
05:半金镀30u"
- (5) PACKING OPTIONS  
T:TUBE




根部公差为+0.10/-0.05  
 开口处为+/-0.20



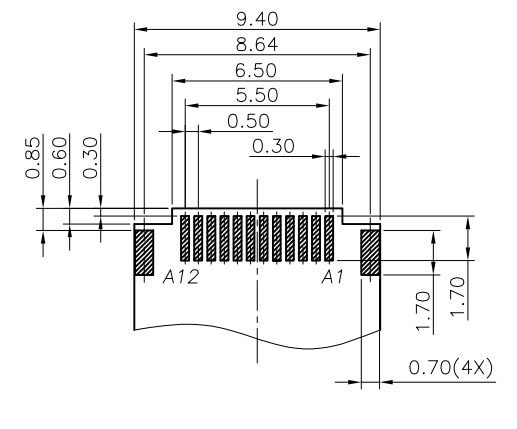
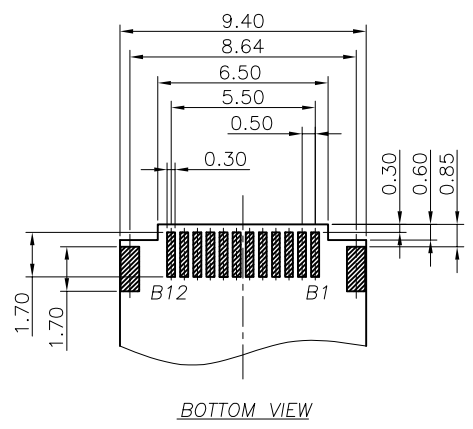
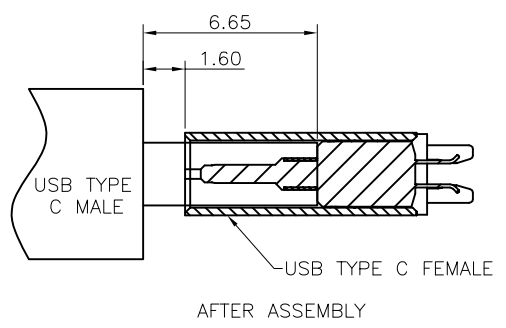
|                                       |  |                                       |                                   |                        |                      |                           |
|---------------------------------------|--|---------------------------------------|-----------------------------------|------------------------|----------------------|---------------------------|
| PART NO.:<br>SEE THE PART NUMBER CODE |  | GOLDCONN TECHNOLOGIES COMPANY LIMITED |                                   | DRAWN BY<br>SAM        | DATE<br>2020.11.09   |                           |
| QUALITY SYMBOL<br>= 0 ∇ ≠ 0           | GENERAL TOLERANCES<br>(UNLESS SPECIFIED) |                                       | TITLE<br>USB C F TYPE母座夹板0.8短体9.3 |                        |                      |                           |
|                                       | x.xxxx                                   | ± ---                                 | DWG.NO.<br>CF009-01               | SHEET NO.<br>1 OF 3    | CHECKED BY<br>JAY    | DATE<br>2020.11.09        |
|                                       | x.xxx                                    | ± 0.10                                |                                   |                        | APPROVED BY<br>JACKY | DATE<br>2020.11.09        |
|                                       | x.xx                                     | ± 0.25                                | DIMENSION STYLE<br>MM ONLY        | DESIGN UNITS<br>METRIC | SCALE<br>1:1         | THIRD ANGLE<br>PROJECTION |
| x.x                                   | ± 0.30                                   | frame size: A4                        |                                   |                        |                      |                           |
| ANGULAR                               | ± ---°                                   |                                       |                                   |                        |                      |                           |

10 9 8 7 6 5 4 3 2 1

**RoHS Compliant**  THIS DRAWING CONTAINS INFORMATION THAT IS PROPRIETARY TO ZDT TECHNOLOGY. AND SHOULD NOT BE USED WITHOUT WRITTEN PERMISSION

TYPE C协会认证TID NO. 3657

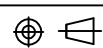
| REV | ECN No.    | DATE       | REMARK     |
|-----|------------|------------|------------|
| A   | NEW        | 2016.04.14 | 新版发行       |
| B   | ECN1612001 | 2016.12.23 | 变更新料号      |
| C   | ECN1709005 | 2017.09.06 | 新增电镀15u规格  |
| D   | ECN1803005 | 2018.03.08 | 新增外壳镀金规格   |
| E   | ECN1805012 | 2018.05.29 | 镀金1u => 3u |
| F   | ECN1908008 | 2019.08.05 | 变更新图号      |
| G   | ECN2011005 | 2020.11.09 | 升级第三代产品    |



USB TYPE-C PIN ASSIGNMENTS


| PIN NUMBER | SIGNAL NAME | PIN NUMBER | SIGNAL NAME |
|------------|-------------|------------|-------------|
| A1         | GND         | B12        | GND         |
| A2         | SSTXp1      | B11        | SSRXp1      |
| A3         | SSTXn1      | B10        | SSRXn1      |
| A4         | Vbus        | B9         | Vbus        |
| A5         | CC1         | B8         | SBU2        |
| A6         | Dp1         | B7         | Dn2         |
| A7         | Dn1         | B6         | Dp2         |
| A8         | SBU1        | B5         | CC2         |
| A9         | Vbus        | B4         | Vbus        |
| A10        | SSRXn2      | B3         | SSTXn2      |
| A11        | SSRXp2      | B2         | SSTXp2      |
| A12        | GND         | B1         | GND         |

RECOMMENDED PCB LAYOUT(TOP VIEW)  
THICKNESS 0.80±0.05MM;DEFAULT TOLERANCE:±0.05

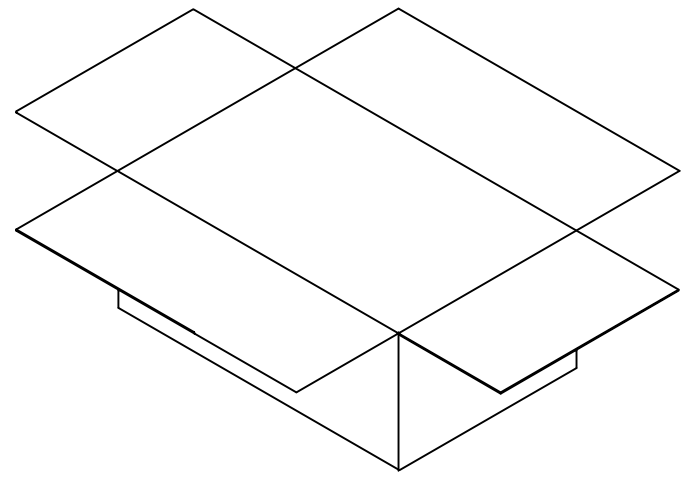
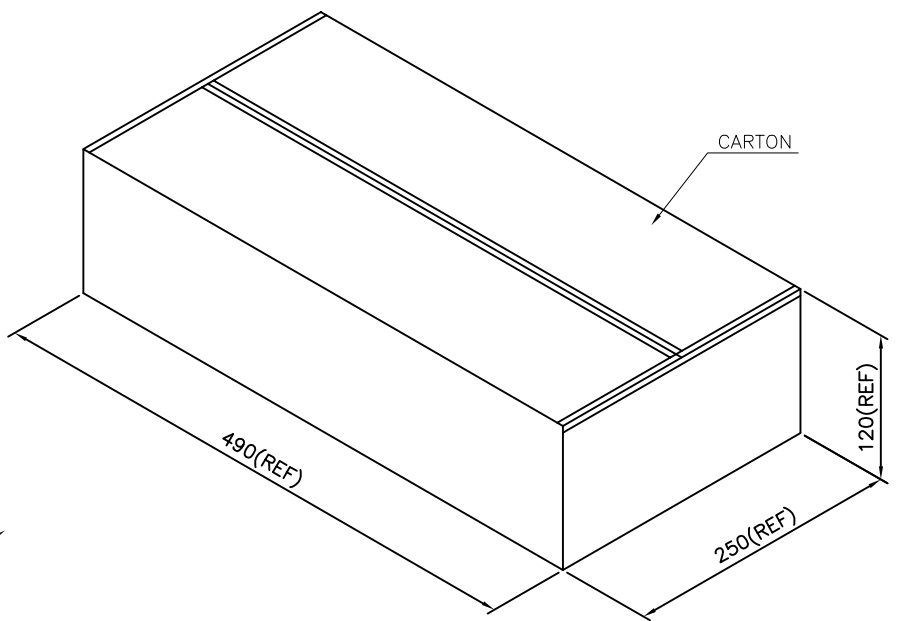
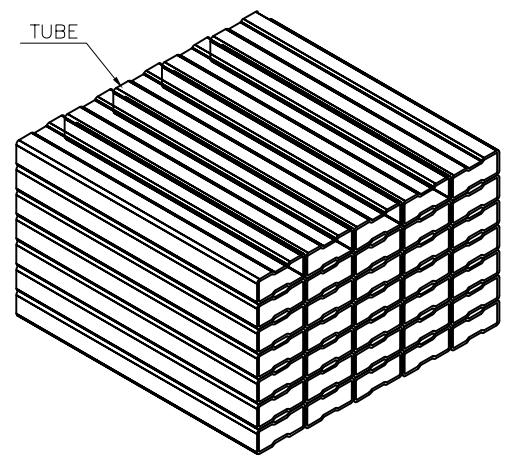
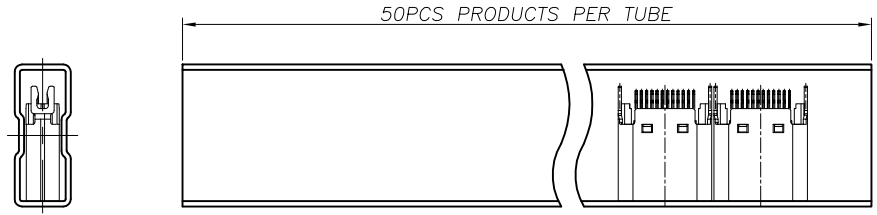
|  |  |                                       |  |                        |                      |                    |
|--|--|---------------------------------------|--|------------------------|----------------------|--------------------|
| <b>PART NO.:</b><br>SEE THE PART NUMBER CODE |  | GOLDCONN TECHNOLOGIES COMPANY LIMITED |  | DRAWN BY<br>SAM        | DATE<br>2020.11.09   |                    |
| QUALITY SYMBOL<br>0 $\nabla$ 0               | GENERAL TOLERANCES<br>(UNLESS SPECIFIED) |                                       | TITLE<br>USB C F TYPE母座夹板0.8短体9.3  |                        |                      |                    |
|  | x.xxxx                                   | ± ---                                 | DWG.NO.<br>CF009-01  | SHEET NO.<br>2 OF 3    | CHECKED BY<br>JAY    | DATE<br>2020.11.09 |
|  | x.xxx                                    | ± 0.10                                |  |                        | APPROVED BY<br>JACKY | DATE<br>2020.11.09 |
|  | x.xx                                     | ± 0.25                                | DIMENSION STYLE<br>MM ONLY   | DESIGN UNITS<br>METRIC | SCALE<br>1:1         |                    |
|  | x.x                                      | ± 0.30                                |  THIRD ANGLE PROJECTION |                        |                      |                    |
| ANGULAR                                      | ± ---°                                   |                                       |  |                        |                      |                    |

frame size: A4

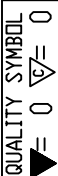
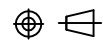
10 9 8 7 6 5 4 3 2 1

**RoHS Compliant**  THIS DRAWING CONTAINS INFORMATION THAT IS PROPRIETARY TO ZDT TECHNOLOGY. AND SHOULD NOT BE USED WITHOUT WRITTEN PERMISSION

| REV | ECN No.    | DATE       | REMARK     |
|-----|------------|------------|------------|
| A   | NEW        | 2016.04.14 | 新版发行       |
| B   | ECN1612001 | 2016.12.23 | 变更新料号      |
| C   | ECN1709005 | 2017.09.06 | 新增电镀15u规格  |
| D   | ECN1803005 | 2018.03.08 | 新增外壳镀金规格   |
| E   | ECN1805012 | 2018.05.29 | 镀金1u => 3u |
| F   | ECN1908008 | 2019.08.05 | 变更新图号      |
| G   | ECN2011005 | 2020.11.09 | 升级第三代产品    |



|                 | TUBE | CARTON |
|-----------------|------|--------|
| CONNECTOR (PCS) | 50   | 18000  |

|  |        |                                       |        |   |                    |
|--|--------|---------------------------------------|--------|---|--------------------|
| <b>PART NO.:</b><br>SEE THE PART NUMBER CODE   |        | GOLDCONN TECHNOLOGIES COMPANY LIMITED |        | DRAWN BY<br>SAM   | DATE<br>2020.11.09 |
| <b>QUALITY SYMBOL</b><br> |        | GENERAL TOLERANCES (UNLESS SPECIFIED) |        | TITLE<br>USB C F TYPE母座夹板0.8短体9.3   |                    |
|  |        | x.xxxx                                | ± ---  | DWG.NO.   | SHEET NO.          |
| x.xxx  | ± 0.10 | CF009-01                              | 3 OF 3 | CHECKED BY<br>JAY   | DATE<br>2020.11.09 |
| x.xx   | ± 0.25 | DIMENSION STYLE<br>MM ONLY            |        | DESIGN UNITS<br>METRIC  | DATE<br>2020.11.09 |
| x.x  | ± 0.30 | SCALE<br>1:1                          |        | APPROVED BY<br>JACKY  |                    |
| ANGULAR  | ± ---° | THIRD ANGLE PROJECTION                |        |  |                    |