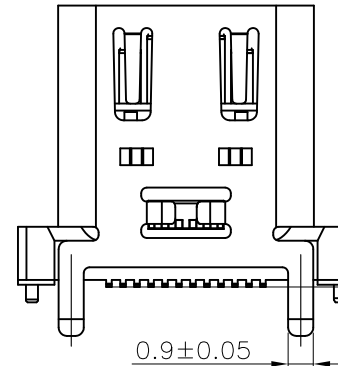
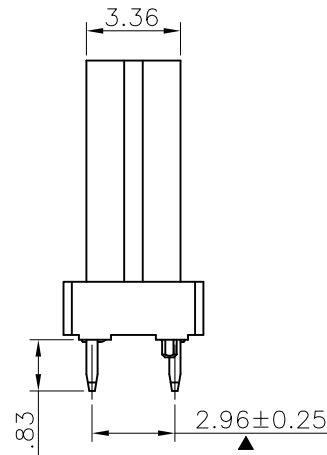
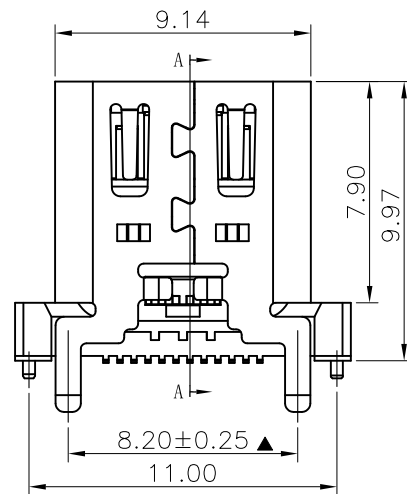
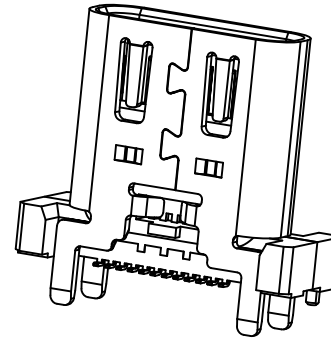
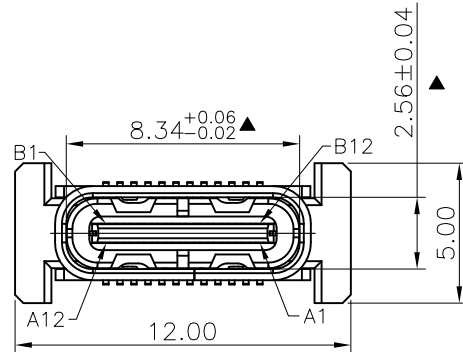


REV	ECN No.	DATE	REMARK
A	NEW	2017.03.21	NEW RELEASE
B	ECN1706005	2017.06.08	底部加胶0.15
C	ECN1707018	2017.07.24	端子SMT面增加0.2mm尺寸管接
D	ECN1908008	2019.08.24	变更新图号, 变更盖子
E	ECR202005016	2020.05.27	提升制程良率, 优化塑胶MOLDING结构
F	ECR2011007	2020.11.20	端子脚长1.57改为1.83



0.10
ALL CONTACTS

NOTE:
 1.ELECTRICAL PERFORMANCE:
 1-1. CURRENT RATING:5 AMPS. FOR TOTAL VBUS/GND PINS;
 1.25AMPS FOR CC PIN,
 0.25 AMPS. FOR ALL OTHER CONTACT.
 1-2. VOLTAGE RATING:20V DC/AC (RMS. MAX)
 1-3. LLCR:..
 VBUS & GND PINS AND OTHER PINS:
 40MΩ/PIN MAX.
 SHIELD:50MΩ/MAX.
 LLCR MAX. CHANGE OF ALL PINS: 10MΩ.
 1-4.INSULATION RESISTANCE: 100MΩ MIN
 1-5.DIELECTRIC WITHSTAND VOLTAGE,AC 100V FOR 1 MINUTE.
 2.MECHANICAL PERFORMANCE:
 2-1.INSERTION FORCE: 5~20N.
 2-2.EXTRACTION FORCE: 8~20N.
 2-3.DURABILITY: 10000 CYCLES.
 3.ENVIRONMENTAL PERFORMANCE:
 OPERATING TEMPERATURE: -25°C~+85°C.
 4.IR REFLOW:
 THE PEAK TEMPERATURE ON THE BOARD SHALL
 BE MAINTAINED FOR 10 SECONDS AT 260°C.
 5.COMPLIANCE WITH ROHS REQUIREMENTS.
 6.SALT SPRAY:48H
 7. With "▲" for the key control size
 8.TID No. 11015
 9.PART NUMBER CODE:
 Z-CF 036 S L X XX R - C - 01

PACKING OPTIONS:
 R:TAPE & REEL
 CONTACTS PLATED:
 12:Contact Area: Au 3u"
 Solder Tails:GF
 HOUSING COLOR:

PIN DEFINITION:

PIN No.	A1	A2	A3	A4	A5	A6	A7	A8	A9	A10	A11	A12
SIGNAL NAME	GND	TX1+	TX1-	VBUS	CC1	D+	D-	SBU1	VBUS	RX2-	RX2+	GND

PIN No.	B12	B11	B10	B9	B8	B7	B6	B5	B4	B3	B2	B1
SIGNAL NAME	GND	RX1+	RX1-	VBUS	SBU2	D-	D+	CC2	VBUS	TX2-	TX2+	GND

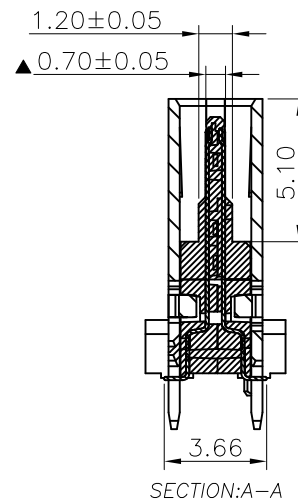
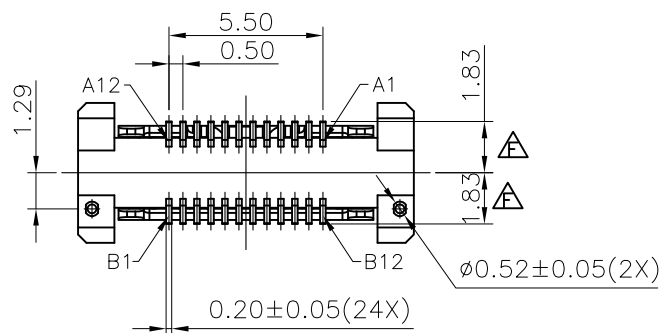
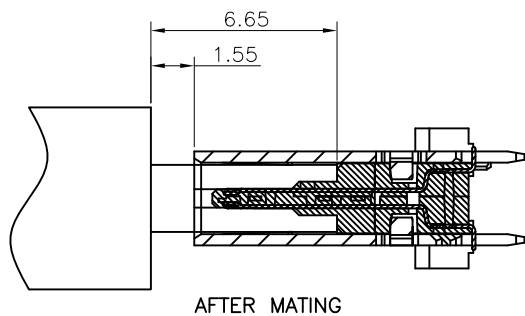


TABLE:

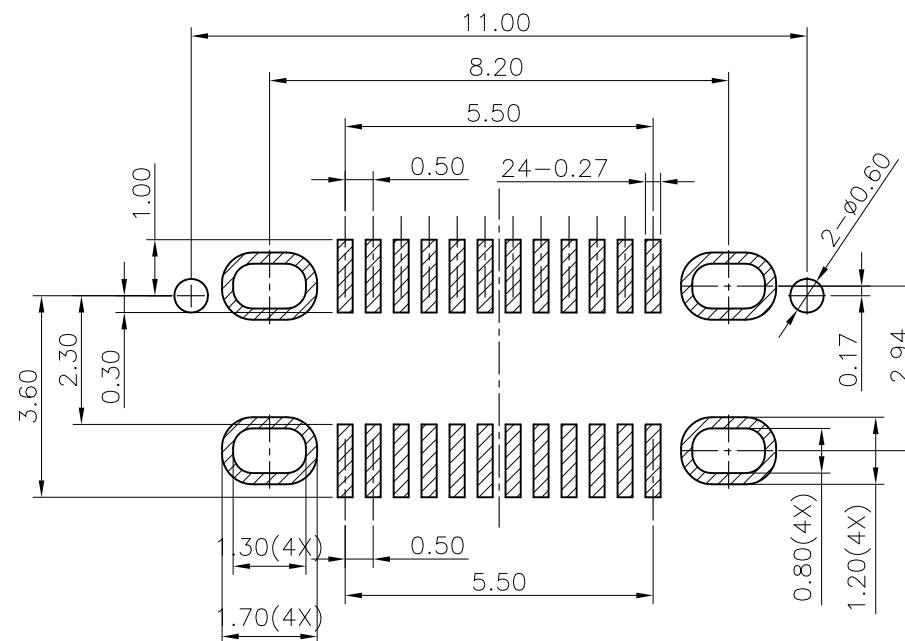
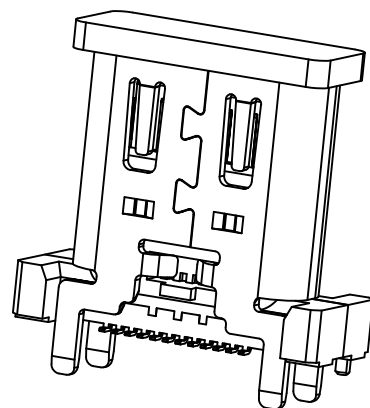
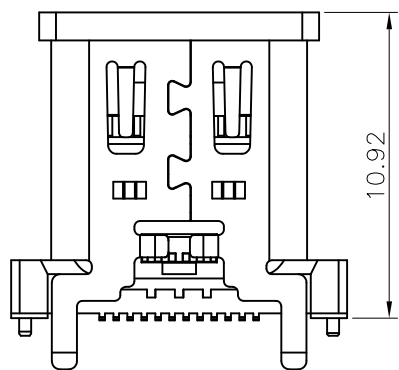
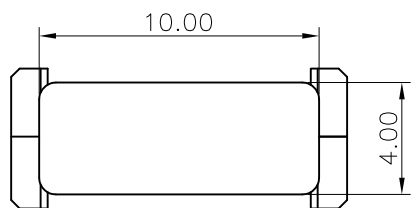
NO	PART	Q'TY	Material
1	SHELL	1	STAINLESS STEEL 304, NI 50u" MIN PLATED
2	EMI Plate	1	STAINIESS STEEL 301,NO PLATED
3	Mid Plate	1	STAINIESS STEEL 301, NO PLATED
4	CONTACT	24	COPPER ALLOY,Au Plated On Vontact Area GF Plated On Solder Area;Nickel 50u"Min Underplating Over All.
5	HOUSING	1	PA9T BLACK UL94 V-0
6	CAP	1	LCP BLACK UL94 V-0

PART NO.:		DRAWN BY:		GOLDCONN TECHNOLOGIES COMPANY LIMITED	
SEE THE PART NUMBER CODE		HuangXiaoHao			
GENERAL TOLERANCES		CHECKED BY:		TITLE	
x.xxxx ± ---		liuzongliang			
x.xxx ± 0.10		APPROVED BY:		USB TYPE-C FEMALE 24PIN直立四脚插板CONN.	
x.xx ± 0.25		Jacky			
x.x ± 0.30		THIRD ANGLE PROJECTION		DIMENSIONS	
ANGULAR ± 3°		SCALE		DRAWING	
		mm		SHEET NO.	
		1:1		1 OF 2	
		A4		DWG.NO.	
				CF036-01	

REV	ECN No.	DATE	REMARK
A	NEW	2017.03.21	NEW RELEASE
B	ECN1706005	2017.06.08	底部加胶0.15
C	ECN1707018	2017.07.24	端子SMT面增加0.2mm尺寸管控
D	ECN1908008	2019.08.24	变更新图号, 变更盖子
E	ECR202005016	2020.05.27	提升制程良率, 优化塑胶MOLDING结构
F	ECR2011007	2020.11.20	端子脚长1.57改为1.83



加CAP示意图



RECOMMENDED PCB LAYOUT(TOP VIEW)
THICKNESS 1.0±0.10MM;DEFAULT TOLERANCE:±0.05
SCALE:2:1

PART NO.:		DRAWN BY:		GOLDCONN TECHNOLOGIES COMPANY LIMITED	
SEE THE PART NUMBER CODE		HuangXiaoHao			
GENERAL TOLERANCES		CHECKED BY:		TITLE	
x.xxxx	± ---	liuzongliang		USB TYPE-C FEMALE 24PIN直立四脚插板CONN.	
x.xxx	± 0.10	APPROVED BY:			
x.xx	± 0.25	Jacky			
x.x	± 0.30	THIRD ANGLE PROJECTION		DIMENSIONS SCALE DRAWING SHEET NO. DWG.NO.	
ANGULAR	± 3°			mm 1:1 A4	2 OF 2 CF036-01