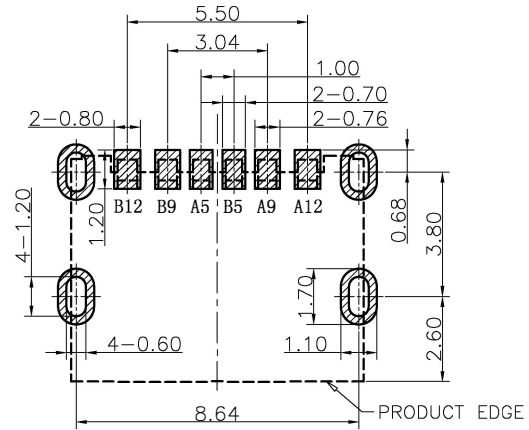
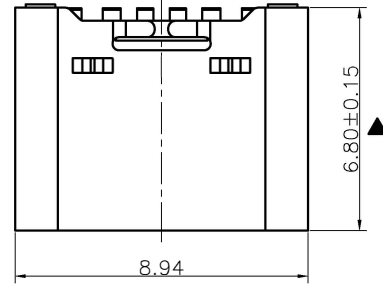


RoHS Compliant

REV	ECN No.	DATE	REMARK
A	NEW	2017.07.27	NEW RELEASE
B	ECR202005017	2020.05.28	增加对插口倒角管控
C	ECN202011003	2020.11.12	增加真空包装料号规格
D	ECR2209004	2022.09.19	优化产品结构

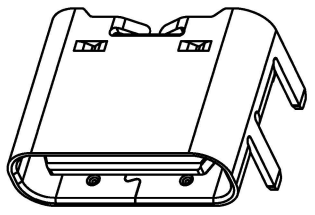
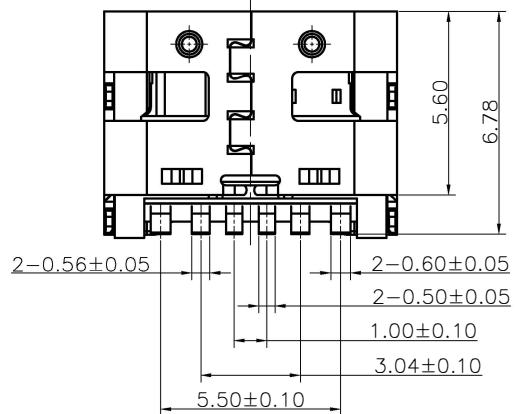
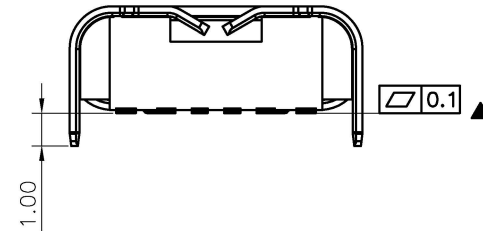
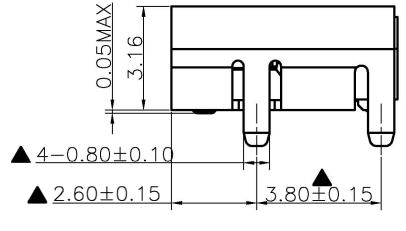
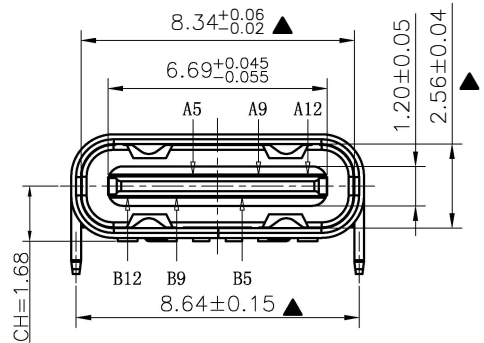


RECOMMEND P.C.B LAYOUT
TOLERANCE UNSPECIFIED ±0.05mm

- NOTES:
SPECIFICATION:
- CURRENT RATING: 3.0A MAX
 - VOLTAGE: 100 VAC
 - TEMPERATURE RANGE: -30 °C ~ 85 °C
 - CONTACT RESISTANCE: 40 MILLIONHM MAX
 - INSULATION RESISTANCE: 100 MEGOHMS MIN.
 - INSERTION FORCE : 5N~20N
 - UNMATING FORCE: 8N~20N
 - DURABILITY: 10000 CYCLES
9. 注: 带“▲”号的为重点管控尺寸

10.PART NUMBER CODE:
CF109-06 X X XX X R-02
(1) (2)(3) (4)

- (1) HOUSING MATERIAL:
L:LCP
C:PA9T
- (2) HOUSING COLOR:
B:BLACK
R:RED(186C)
- (3) CONTACTS PLATED:
11:全金1u"
- (4) 包装规格
无此码: 普通包装
V: 真空包装



NO.	DESCRIPTION	MATERIAL	REMARKS	QTY
4	LATCH	STAINLESS STEEL SUS301 t=0.15	---	1SET
3	SHELL	STAINLESS STEEL SUS304 t=0.30	Ni: 50u" Plated	1SET
2	CONTACT	COPPER ALLOY C2680 T=0.20	Au/Ni Plated	1SET
1	HOUSING	HIGH TEMPERATURE PLASTIC	---	1PCS

USB TYPE C PIN ASSIGNMENTS

PIN NUMBER	SIGNAL NAME	PIN NUMBER	SIGNAL NAME
A5	CC1	B12	GND
A9	VBUS	B9	VBUS
A12	GND	B5	CC2

PART NO.: SEE THE PART NUMBER CODE

GOLDCONN TECHNOLOGIES COMPANY LIMITED

DRAWN BY SAM DATE 2022.09.19

CHECKED BY JAY DATE 2022.09.19

APPROVED BY JACKY DATE 2022.09.19

QUALITY SYMBOL: 0, 0.1, 0.25, 0.30, ANGULAR

GENERAL TOLERANCES (UNLESS SPECIFIED): X.XXXX ± ---, X.XXX ± 0.10, X.XX ± 0.25, X.X ± 0.30, ANGULAR ± ---

TITLE: TYPE CF 6P单排 SMT CONN(脚长1.0)新款

DWG.NO. CF109-06-02

SHEET NO. 1 OF 1

DIMENSION STYLE: MM ONLY

DESIGN UNITS: METRIC

SCALE: 1:1

THIRD ANGLE PROJECTION