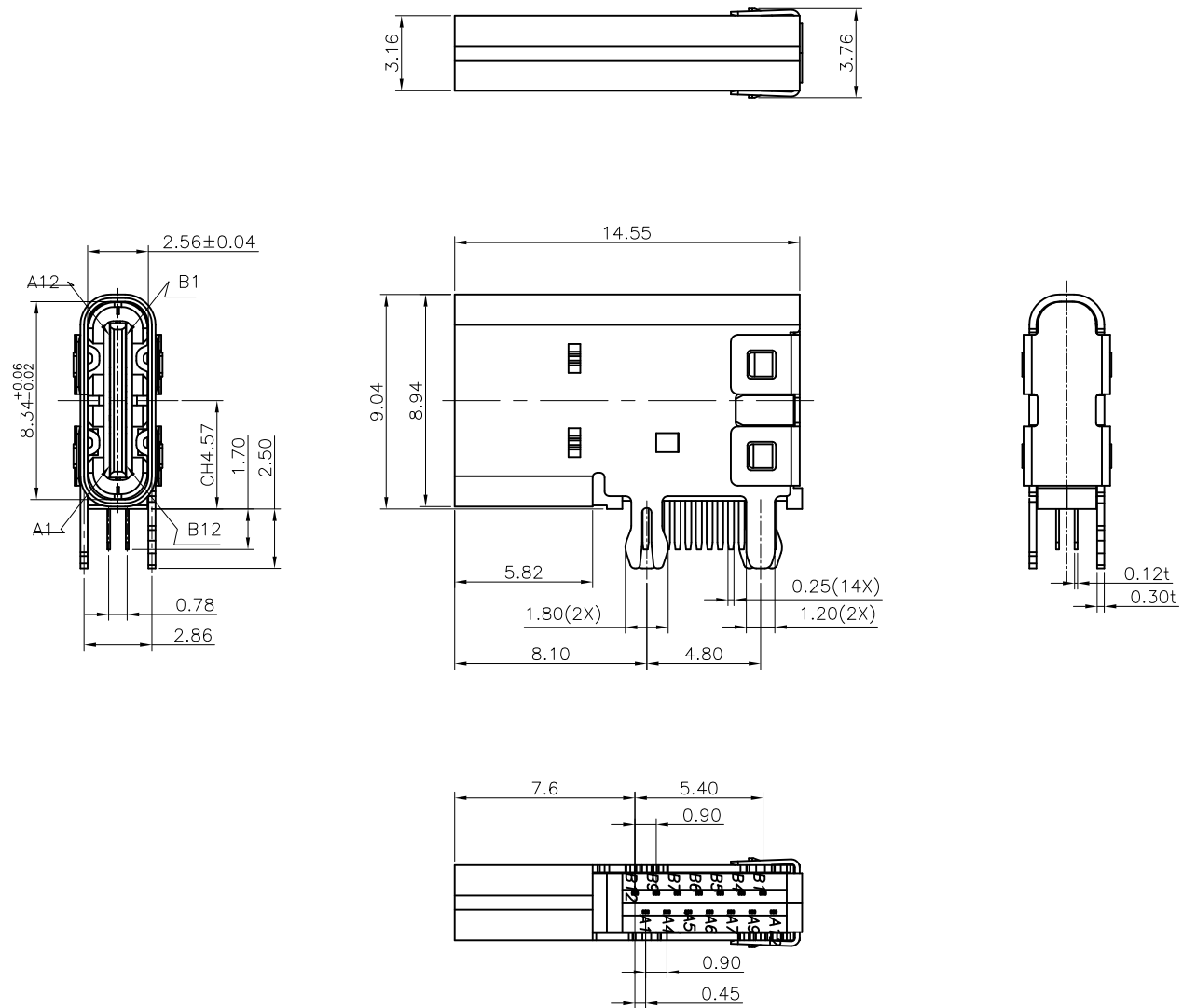


REV	ECN No.	DATE	REMARK
A	NEW	2018.3.20	NEW RELEASE
B	ECN2103003	2021.03.30	LCP变更为PA9T
C	ECN2108003	2021.08.18	增加卷装+CAP规格

F  
E  
D  
C  
B  
A



NOTE:

- Electrical Characteristics:
  - 1-1: Current Rating: 5A For Pin(A4,A9,B4,B9)  
1.25A For Pin(B5)  
0.25A For Others Pin
  - 1-2: VOLTAGE RATING:5.0V
  - 1-3: Insulation Resistance: 100MΩ Min.
  - 1-4: Contact Resistance:  
VBUS & GND PINS AND OTHER PINS: 40mΩ/PIN MAX.  
SHIELD:50mΩ/MAX.  
SHIELD:LLCR MAX. CHANGE OF ALL PINS: 10mΩ.
  - 1-5: Dielectric Withstanding Voltage: 100V/AC 1Minute
- Mechanical Characteristics:
  - Insertion Force: 5~20N
  - Extraction Force: Initial: 8~20N
  - After durability: 6~20N
  - Durability :10000 Cycles
- Operating Temperature: -25°C TO +85°C
- PART NUMBER CODE:  
Z-CF079S X B 12 X -A-01  
(1)(2)(3)(4)

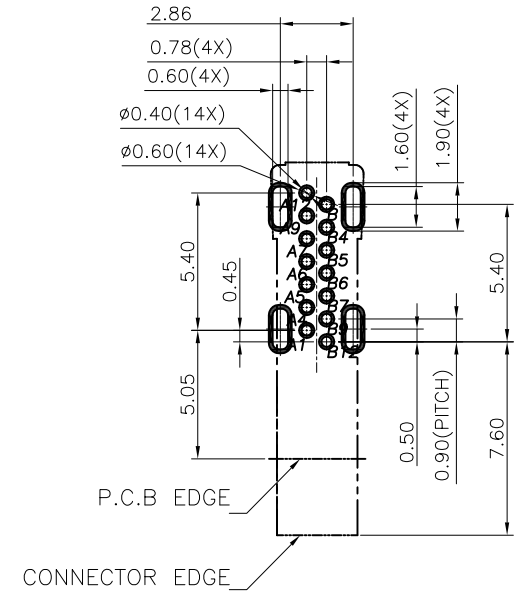
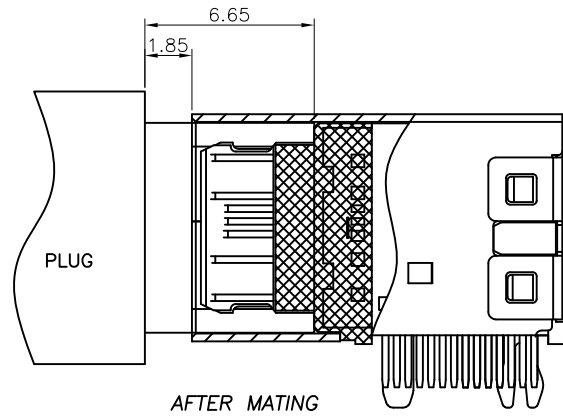
- (1) HOUSING MATERIAL:  
C:PA9T
- (2) HOUSING COLOR:  
B:BLACK
- (3) CONTACTS PLATED:  
12:Contact Area: Au 3u"  
Solder Tails:GF
- (4) PACKING OPTIONS  
T:TRAY  
R:Reel+CAP

TYPE:

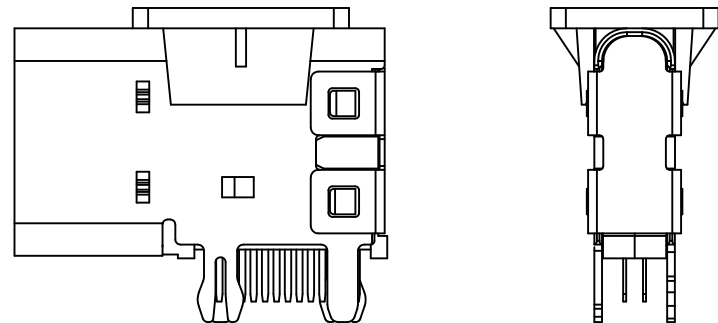
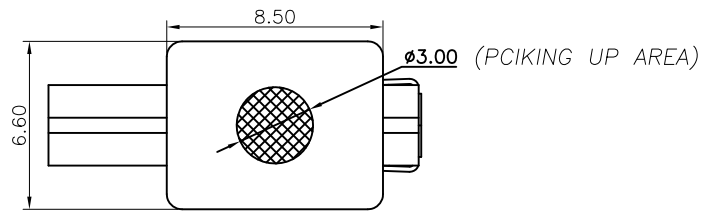
NO.	DESCRIPTION	MATERIAL	REMARKS	QTY
5	COVER	SUS304 1/2H T=0.20mm	NICKEL 30u" MIN PLATING	1PCS
4	SHELL	SUS304 1/2H T=0.30mm	NICKEL 30u" MIN PLATING	1PCS
3	SHIELDING PLATE	SUS301 3/4H T=0.15mm	---	1PCS
2	CONTACT	COPPER ALLOY T=0.12mm	IN 90° ARC UNDER PLATED OVER ALL Au 3u" PLATED ON THE FUNCTIONAL AREA OF CONTACT. PLATING OF THE SOLDER TAIL.	2SET
1	HOUSING	PA9T UL94V-0	BLACK	1PCS

PART NO.: SEE THE PART NUMBER CODE		DRAWN BY: HuangXiaoHao		GOLDCONN TECHNOLOGIES COMPANY LIMITED				
GENERAL TOLERANCES		CHECKED BY: liuzongliang						TITLE
x.xxxx	± ---	APPROVED BY: Jacky		USB C F 14PIN FLAG TYPE				
x.xxx	± 0.10	THIRD ANGLE PROJECTION		DIMENSIONS	SCALE	DRAWING	SHEET NO.	DWG.NO.
x.xx	± 0.20	mm	1:1	A4	1 OF 2	CF079-01		
x.x	± 0.30							
ANGULAR	± 3'							

REV	ECN No.	DATE	REMARK
A	NEW	2018.3.20	NEW RELEASE
B	ECN2103003	2021.03.30	LCP变更为PA9T
C	ECN2108003	2021.08.18	增加卷装+CAP规格



RECOMMENDED PCB LAYOUT(TOP VIEW)  
THICKNESS 1.6±0.10MM;DEFAULT TOLERANCE:±0.05



USB TYPE-C PIN ASSIGNMENTS

PIN NUMBER	SIGNAL NAME	PIN NUMBER	SIGNAL NAME
A1	GND	B12	GND
A4	VBUS	B9	VBUS
A5	CC1	B7	Dn2
A6	Dp1	B6	Dp2
A7	Dn1	B5	CC2
A9	VBUS	B4	VBUS
A12	GND	B1	GND

PART NO.: SEE THE PART NUMBER CODE		DRAWN BY: HuangXiaoHao		GOLDCONN TECHNOLOGIES COMPANY LIMITED			
GENERAL TOLERANCES		CHECKED BY: liuzongliang		TITLE			
x.xxxx	± ---	APPROVED BY: Jacky		USB C F 14PIN FLAG TYPE			
x.xxx	± 0.10	THIRD ANGLE PROJECTION		DIMENSIONS	SCALE	DRAWING	SHEET NO.
x.xx	± 0.20	DIMENSIONS		mm	1:1	A4	2 OF 2
x.x	± 0.30	ANGULAR		± 3°			DWG.NO.
							CF079-01